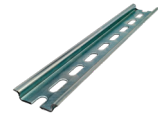
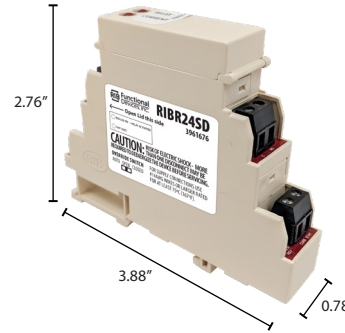
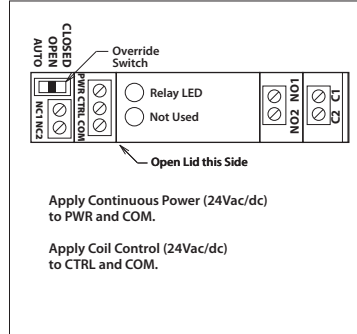
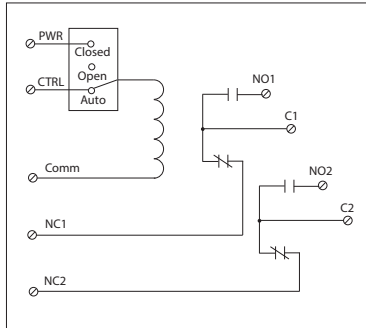


10 AMP PILOT CONTROL RELAY

RIBR24SD

DIN Mount Relay 10 Amp DPDT + Override
24 Vac/dc Coil, Replaceable Relay



ADIN35
DIN Rail Perforated
35mm x 7.5mm x 1m



ADIN35ES
Pair of End Stops
for 35mm DIN Rail

Models ADIN35 and ADIN35ES sold separately. See data sheet on website for more product information.

Specifications

Relays & Contact Type: One (1) DPDT Continuous Duty Coil
Expected Relay Life: 10 million cycles minimum mechanical
Operating Temperature: -30 to 140° F
Humidity Range: 5 to 95% (noncondensing)
Operate Time: 8mS
Relay Status: LED On = Activated
Dimensions: 3.88" x 2.76" x 0.78"
Terminal Strip: 14-22 AWG wire
Approvals: UL Listed, UL916, C-UL, CE, RoHS
Replacement Relay: AR24D
Accessories: ADIN35, ADIN35ES

Contact Ratings:
 10 Amp Resistive @ 30 Vdc
 10 Amp General Use @ 277 Vac
 1/2 HP @ 120-240 Vac (N/O)
 1/3 HP @ 120-240 Vac (N/C)
B300 Pilot Duty
 120Vac 30A Make 3A Break (360 VA)
 240Vac 15A Make 1.5A Break (360 VA)
 208Vac 17.3A Make 1.73A Break (360 VA)
 277Vac 13A Make 1.3A Break (360 VA)
 24Vac 30A Make 5A Break (120VA) 5A Max

Power and Control Current:
 24 mA @ 18 Vac 20 mA @ 20 Vdc
 32 mA @ 24 Vac 24 mA @ 24 Vdc
 40 mA @ 30 Vac 36 mA @ 24 Vdc

Coil Voltage Input:
 24 Vac/dc ; 50-60 Hz
 Drop Out = 3 Vac / 3.8 Vdc
 Pull In = 18 Vac / 20 Vdc